



Chehalis River Basin Flood Control Zone District

*Ryan Barrett, District Administrator
Eric Eisenberg, Deputy District Administrator*

*351 NW North St
Chehalis, WA 98532-1900*

PURCHASE ORDER

April 7, 2025

Vendor:*

Owens Pump & Equipment
Mailing: PO Box 846, Wilsonville, OR 97070
Warehouse: 138 S. Hazel Dell Way #112
Canby, Oregon, 97013
Contact: Rich Owens, 503-420-8390 x222
rich@owenspump.com

Vendee:

Chehalis River Basin Flood Control Zone District
351 NW North St
Chehalis, WA 98532
By: Ryan Barrett, Administrator
Contact: Eric Eisenberg, 704-562-8973
Eric.Eisenberg@lewiscountywa.gov
Tammy Martin, 360-740-1391
Tammy.Martin@lewiscountywa.gov

Shipping Method	Payment Terms	Delivery Date
F.O.B per terms	Payment on delivery per attached terms ("terms")	1-3 weeks per terms

Description	Line Total
Water surface elevation measurement equipment	\$6,735.00
Shipping to Lewis County Central Shop 109 E Forest Napavine Rd, Chehalis, WA 98532 (This is in unincorporated Lewis County, for purposes of calculating appropriate sales tax.)	Included per terms
Subtotal	\$6,735.00
Sales Tax 8.0%	\$538.80
Total	\$7,273.80

Ryan Barrett **04/08/25**
Ryan Barrett Date

*This vendor won a solicitation for quotations under RCW 39.04.190.

Scott Brummer
Chair

Sean D. Swope
Vice Chair

Lindsey R. Pollock, DVM
Member



Owens Pump & Equipment

Mailing: PO Box 846, Wilsonville, OR 97070
Warehouse: 138 S. Hazel Dell Way #112, Canby, Oregon, 97013
(503)420-8390 Fax: (503)606-6602
sales@owenspump.com www.owenspump.com

Quote

Valid Until: Apr 28, 2025

Quote Number : 334282 Rev. 0

Project Name / Number: **Chehalis River Basin Flood Control**

Lewis County Public Works 57 West Main Street Chehalis, Washington 98532	Lead-Time: 1-3 WEEKS	FOB: Factory -
	Name: Eric Eisenberg	Sales Agent: Rich Owens (503) 420-8390 Ext 222 rich@owenspump.com
	Phone: (360) 740-1241	
	Email: eric.eisenberg@lewiscountywa.gov	
	Terms: 0**	

Contact your salesperson for more information: **Rich Owens** at (503) 420-8390 Ext 222 or rich@owenspump.com for assistance.

#	Part#	Product Details	QTY	Price Each	Total
1	CustomQuote	Custom Quote 4G / Satellite Pyxis CloudLink Gateway with I/O RS-485/TCP-IP - Power: Solar via 12V (Battery not included) NEMA-4X Enclosure - With LoRa Includes the following: - Satellite Module with Antenna - 10 or 20W Solar Panel with Charge controller and Pole Mount - 1 Year of 4G or 60 KB/Month Satellite Service (\$300)	1	\$ 6,585.00	\$ 6,585.00
2	PYX.LSR-803	Pyxis Labs LSR-803 Radar Level Sensor w/Display 0-49FT w/10FT Flying Lead Cable Range: 0-49 FT Resolution: 0.02 Inch Accuracy: ±2mm Measurement Interval: Configurable or Continuous Display: 1.3" OLED Display with Pushbuttons Data On-Board Storage: 110,000 data points Power Supply: Battery or 22-26VDC, Power Consumption – 2.0 W / (4) AA Li/SOCL2 Batteries Outputs: Bluetooth, 4-20mA Analog / RS-485 MODBUS Material: Polycarbonate / Polybutylene Terephalate Temperature: Operation: 5-122 °F Rating: IP67 Regulation: UL / CE / RoHS Cable Length: 10FT IP67 Connector Dimensions: 2" NPT for Display/Sensor Weight: TBD	1	\$ 0.00	\$ 0.00
3	PYX.MA-L100	Pyxis Labs 100FT Male/Female Extension Cable - Level Waterproof Extension Cable for Level sensors -30 meter / 100 feet - Female + Male Adapters / 4-20mA + RS-485	1	\$ 0.00	\$ 0.00
4	PYX.LSR-MB-H002	Pyxis Labs LSR Hanging Bracket for LSR-803 Bracket for hanging sensor, no pole or mounting equipment provided	0	\$ 71.00	\$ 0.00
5	Freight	Freight Charges FOB - Factory -lead time is 2-3 Weeks ARO before shipping (not included) Estimated Freight	1	\$ 150.00	\$ 150.00
6	StartUp	Startup Services Manufacturer's Representative Onsite Start-Up & Training Services	1	\$ 0.00	\$ 0.00

Sub Total	\$ 6,735.00
*Estimated 8.2% Tax	\$ 552.27
Discount(s)	\$ 0.00
Freight:	
Grand Total	\$ 7,287.27

* Total Taxes will be calculated when order is placed. ** If credit card is being used for payment, add \$ 201.93

Terms and Conditions

All quotes are valid for 30 days from date of issue unless noted otherwise. Lead times are estimated from the factory on date of the quote and OPE does not accept ANY liquidated damages! Verify materials of construction are compatible with your process, as Owens Pump does not warrant against chemical incompatibility. Any item not specifically listed in this quote will not be supplied by Owens Pump. For full terms and conditions please see attached or download [here](http://www.owenspump.com/terms.pdf) at www.owenspump.com/terms.pdf **Payment terms must be approved by our accounting department with a credit application.

Payment / Fees:

Payments shall be as noted on the invoice and should be paid within the terms. Should special terms be required they shall be negotiated prior to the order being processed/received. Standard payment terms are strict NET 30 days, and if not paid in the terms late fees/penalties will be applied to the invoice.

a. Late Payment Fee: A Late Fee Charge of \$250 per week on any invoice past due more than 30 days (unless negotiated prior to order placement). Late fees will start after the first week past the due date and continue weekly. Shall the invoice go over 60 days, the fee will increase to \$250 per day and continue until paid. There will be no refunds for late fees, and if not paid will go to our legal/collections company for payment.

b. Credit Card Payment: OWENS PUMP reserves the right to charge credit card fees on top of any order exceeding \$10,000 NET at the same rate charged by our processor. The approximate credit card fee is included in the quote and invoice.

c. Credit Hold: Shall an invoice not be paid within terms; the account will be placed on credit hold. Once on credit hold orders will not be shipped until the account is fully paid in full.

Special Payment Terms (if Any):**Revision Notes:**

1. **Shipment.**
 - a. All material will be shipped by manufacture F.O.B. Factory Location and shall be Shipped by the most suitable method as determined by the manufacture, or that method advised in the written purchase order
 - b. Delivery by OWENS PUMP shall be made within a reasonable period of time based on availability. OWENS PUMP assumes no responsibility for, and shall not be liable for, any delays or damage prior to or during shipment.
 - c. Material shall be packaged by the manufacture as required to assure common carrier acceptance. Any special packaging required must be specified in the Purchase Order. Additional charges may apply to any special packaging requirements.
 - d. A packing slip and bill of lading will be supplied with each shipment referencing the buyer's purchase order number and the manufactures part number(s).
 - e. All the claims by Buyer for delays, shortages or damage in transit are to be made promptly to the carrier with a copy to OWENS PUMP.
2. **Tools.** Unless invoiced separately, all tools used in the installation of parts and materials sold by OWENS PUMP shall be the property of OWENS PUMP who will have sole control of same.
3. **Additional Charges.** OWENS PUMP may assess reasonable, additional charges to the Buyer for any changes in this order including, but not limited to charges occasioned by change in specifications, quantities, delivery, schedule or cancellation, and monetary penalties may apply.
4. **Warranties.** The manufacture—not OWENS PUMP —warrants all its Industrial and Municipal products as stated more fully in its written warranty, a copy of which will be provided at the time of delivery. Any such warranty is void with respect to any product which has been altered in any way from its manufacturing condition such as by intentional modification, accident, corrosion, misuse, failure to provide necessary and reasonable maintenance. Written authorization from the manufacture must be obtained prior to returning any part or parts. No charges for transportation or for labor performed on any manufactures products by unauthorized persons will be allowed under this warranty. Specific warranty information for agricultural manufactured products may be obtained from the manufacture upon request.
5. **Disclaimers.** OWENS PUMP MAKES NO WARRANTIES, EXPRESS OR IMPLIED, INCLUDING THE WARRANTY OF MERCHANTABILITY OR A WARRANTY OF FITNESS FOR A PARTICULAR PURPOSE EXTENDING BEYOND THAT SET FORTH IN PARAGRAPH 4.
6. **Indemnity – General.** Buyer agrees to indemnify, hold harmless OWENS PUMP from or against any claim, suit, demand or cost arising out of the use, manufacture, installation or operation of material supplies herein, other than that arising from the acts or omissions of OWENS PUMP
7. **Compliance with Laws and Regulations / Indemnity by OWENS PUMP.** OWENS PUMP represents that all material furnished under this contract is sold in compliance with federal, provincial and local laws, rules and regulations which apply to the goods purchased hereunder and which, if violated by OWENS PUMP , would have material adverse and detrimental effect upon Buyer. OWENS PUMP agrees to indemnify, hold harmless Buyer from or against any claim, suit, demand or cost arising out of any violation of such laws by OWENS PUMP .

8. **Assignment.** OWENS PUMP reserves the right to assign any portion of this contract provided, however, any such assignment shall not relieve OWENS PUMP 's obligation of performance. This contract shall not be assignable by Buyer without OWENS PUMP 's consent.
9. **Financial Responsibility.** In the event Buyer's financial responsibility shall be or become unsatisfactory to OWENS PUMP, cash advances or security may be demanded by OWENS PUMP , and in the event of default of such cash advances or security, OWENS PUMP may cease performances under the contract, discontinue any deliveries and charge the Buyer with all expenses incurred in connection with the contract.
10. **Waiver.** The failure of either party to require the performance of any term of this contract or the waiver of either party of any breach under the contract shall not prevent a subsequent enforcement of the term not be deemed a waiver of any subsequent breach.
11. **Entire Agreement / Governing Law.** This contract constitutes the entire agreement between OWENS PUMP and the Buyer, replacing and superseding any and all prior Agreements, written or oral and may be modified only by written Agreement signed by both parties. This Agreement shall be construed in accordance with the laws of the State of Oregon; and any action arising from it shall be brought only in the state or federal courts located in Oregon having proper venue.
12. **Purchase Prices.** The purchase price will be that on the current price list published by the manufacture, which is incorporated herein by reference, unless covered by a specific, valid quotation to Buyer.
13. **Payment / Fees:** Payments shall be as noted on the invoice should be paid within terms. Should special terms be required they shall be negotiated prior to the order being processed / received. Standard payment terms are strict NET 30 day, and if not paid in the terms late fee/penalties will be applied to the invoice.
 - a. **Late Payment Fee:** A Late Fee Charge of \$250 per week on any invoice past due more than 30 days (unless negotiated prior to order placement). Late fees will start after the first week past due date and continue weekly. Shall the invoice go over 60 days, the fee will increase to \$250 per day and continue until paid. There will be no refunds for late fees, and if not paid will go to our legal/collections company for payment.
 - b. **Credit Card Payment:** OWENS PUMP reserves the right to charge credit card fees on top of any order exceeding \$20,000 NET at the same rate charged by our processor. The approximate credit card fee is included on the quote and invoice.
 - c. **Credit Hold:** Shall an invoice not be paid within terms; the account will be placed on credit hold. Once on credit hold orders will not be shipped until the account is fully paid in full.

Eric Eisenberg

From: Eric Eisenberg
Sent: Tuesday, April 8, 2025 11:43 AM
To: Eric Eisenberg
Cc: Tammy Martin
Subject: RE: Chehalis River Basin Flood Control Zone District - Request for Quotes - water-surface elevation measurement equipment

Hello all,

Thank you for participating in our request for quotes for water surface elevation equipment. Per 39.04.190, award is to be made to firm with the lowest responsive quote, and immediately after award is made the quotes are to be available for public inspection. We received the quotes below:

Owens Pump – main quote – responsive - \$6,735.00
TUPPS LLC – main quote – responsive - \$10,844.35
WECI – alternate quote 2 – responsive - \$13,517.10
Owens Pump – alternate 2 quote - nonresponsive

We confirmed with the apparent low bidder (Owens Pump) that its price is correct, and the package offered meets the specifications. Therefore, we have awarded this sale to Owens Pump according to its responsive quote. The bid materials are available upon request.

Thank you again for your response to our solicitation, if you responded. We look forward to doing business with you again someday.

Best,

Eric Eisenberg
Deputy District Administrator
Chehalis River Basin Flood Control Zone District

From: Eric Eisenberg
Sent: Friday, March 21, 2025 10:10 AM
To: Eric Eisenberg <Eric.Eisenberg@lewiscountywa.gov>
Subject: Chehalis River Basin Flood Control Zone District - Request for Quotes - water-surface elevation measurement equipment

Good morning,

About a week and a half ago I solicited companies to see who might sell water surface elevation equipment, and your company responded that it does. **The Chehalis River Basin Flood Control Zone District (District) is now seeking a quote from your company for such equipment. Please submit your quote by replying to this email no later than March 28, 2025 at 5PM Pacific Time.** Details are below. This is a request for quotes from vendors, not a formal bid, so an email response is all that is required. But, I am required to accept the lowest responsive quote, so please pay attention to what sorts of quotes and alternates are allowed, to make sure you have the best chance for your company to win the sale.

Please note: if more than one of your company's staff responded to my initial email, I have sent this email to all of those staffers. So, please coordinate within your company to avoid duplicating work.

Background: The District needs water surface elevation (WSEL) data equipment to measure the river height on the mainstem Chehalis River just upstream (south) of Pe Ell, WA. It would like to purchase a WSEL data logger with a remote data link to avoid the need to manually download the data on site.

Specifications: The equipment must meet the following specifications.

- Equipment shall be capable of measuring water surface elevation/level using radar, or similar contactless technology, from a top-mounted setup with an accuracy of +/- .02 feet at 50 feet.
- Equipment shall be capable of operating in a remote setting, without hardwired power, and exposed to elements, for a minimum of 1 year without interruption.
- Equipment shall be capable of collecting and storing data at a minimum 15-minute frequency, with enough storage for 1 year of continuous measurements.
- Equipment software shall be installed on provided units and included in the quote price. Software required to access and download the data in a usable format, if required, shall be included in the quote package and fully included in the quote price.
- Water surface elevation and related data downloaded from the equipment, or associated software, shall be in a format that can be directly imported to Microsoft Excel.
- Quote price shall be all-inclusive with no reoccurring or subscription charges for use, with the possible exception of reoccurring charge for satellite or other remote communication for remote data download. If reoccurring charges are required for remote communication the price and duration of charges shall be clearly indicated in the quote, including any initial periods included in the quote price.
- Clear installation instructions shall be included in the package provided.
- Customer service shall be available during normal business hours at no additional charge.
- Customer service shall include troubleshooting installation with installers during preparation for installation and installation in the field. Physical presence of customer service staff on-site is not required and should not be included in the quote.
- Quotes must specify the delivery date of the goods to a location within the city limits of Chehalis, Washington or Olympia, Washington. (The District has potential delivery locations in both cities and can work out with the successful company which location works best for delivery.) A date range is acceptable.
- Quotes must include delivery costs, and may specify a different delivery cost for Chehalis vs. Olympia. Delivery costs may be included in a holistic quote or may be a separate line item in the quote.
- Quotes should omit sales tax. Sales tax can be added later to the winning quote for purposes of delivery, once the delivery location is determined. If sales tax is included inadvertently, the District will consider the quote amount without the sales tax for purposes of determining lowest price.

Quotes allowed: The District seeks one main quote and up to two alternate quotes from your company.

- The main quote is for equipment meeting the specifications above, modeled on the sample package and specifications described below.
- First alternate quote. The District is interested in receiving this equipment as soon as possible. Therefore, the first alternate quote is for that same equipment on a rush delivery schedule, specifying the rush date of delivery and any increased price related to the rush delivery. This first alternate quote is optional but encouraged.
- Second alternate quote. Vendors may propose equipment that meets the specifications above but is not modeled exactly on the sample package and specifications described below. For example, some vendors may

have different means of providing remote data access than the sample package. If you wish to propose an alternate quote that meets the specifications above through some means different than the sample package, please provide this second alternate quote specifying how your equipment meets the specifications, how it differs from the sample package, its price, and its anticipated delivery date and/or rushed delivery date. This second alternate quote is optional but encouraged if you believe you have a better solution than the sample.

- Please submit the main quote and, if you choose, a first alternate quote or second alternate quote or both alternate quotes.

Due date: Please email your quotes to me at this email address no later than March 28, 2025 at 5PM Pacific Time. Quotes received after this time will not be responsive. No materials other than the quote are required.

Selection: The District reserves the right to do any of the following, whatever it finds in its best interest: reject all quotes, select the lowest responsible and responsive main quote, select the lowest responsible and responsive first alternative quote, select the lowest responsible and responsive second alternative quote, select a portion(s) of the available quotes to obtain the best price, or do any combination thereof. The District may ask any responding company for information to clarify their quote(s). The District will seek to contract with or otherwise order from the apparent-best-price company or companies. If it cannot do so, it may in turn move to the second-best company or companies, etc., until a deal can be completed.

Sample package and specifications: A sample package and sample specifications for equipment that could do the job are attached and described below. This is the same sample you previously received when I inquired whether your company sells equipment of this type.

- WSEL Equipment Package with Remote Data Download
 - Sample package file name: *DWhite_Sutron SL3_RLS-24-038091.pdf*
 - Staff can download the data remotely. No travel time or cost required.
- More description of the equipment:
 - OTT RLS – Radar Level Sensor
 - Description: Equipment is required to record the WSEL at Tin Bridge
 - Sample file name: *OTT RLS - Radar Level Sensor _ OTT HydroMet.pdf*
 - OTT Shielded Cable
 - Description: Cable extension that will be required to hook Sensor and Logger/transmitter up together
 - Sample file name: *OTT cable shielded, twisted pair configuration, PUR gray _ OTT HydroMet.pdf*
 - Solar Panel 10W, 15ft cable with mounting hardware:
 - Description: Solar panel is required to power equipment. Hardware is included in solar panel kit.
 - Sample file name: *SUTRON Solar Panel, 10 W, 15 ft Cable _ OTT HydroMet.pdf*
 - Sutron Geostationary Antenna
 - Description: Required for the SatLink 3 Logger
 - Sample file name: *SUTRON Geostationary Antenna, GPS _ OTT HydroMet.pdf*
 - SatLink 3 Logger/Transmitter
 - Description: This is the satellite logger/transmitter with modem that will NOT require someone to go on-site to download recorded data.
 - Sample file name: *SUTRON SatLink 3 Logger_Transmitter in Enclosure _ OTT HydroMet.pdf*

- 12V Deep Cycle Battery not included in quote; to be bought separately.

Miscellaneous: Quotes are to be prepared and submitted at the vendor's expense. No vendor is guaranteed any sale or employment from submitting a quote. Quotes will be made open to public inspection and available by telephone inquiry immediately after the award is made. All quotes will be considered equally, without discrimination as to any protected class or characteristic.

Thank you for your consideration.

Best,

Eric Eisenberg
Deputy District Administrator
Chehalis River Basin Flood Control Zone District

From: Eric Eisenberg <Eric.Eisenberg@lewiscountywa.gov>

Sent: Monday, March 10, 2025 11:43 AM

To: Eric Eisenberg <Eric.Eisenberg@lewiscountywa.gov>

Subject: Chehalis River Basin Flood Control Zone District inquiry: Do you sell water elevation sensor equipment?

Good morning,

The purpose of this email is to get swift responses about whether your company sells products similar to our entity's needs. This is not a bidding process; an email saying "yes, we sell such products and would like to be included in a future solicitation" is the only response requested.

The Chehalis River Basin Flood Control Zone District (District) is in need of water surface elevation (WSEL) data equipment and is considering the purchase of a WSEL data logger with a satellite link to avoid the need to manually download the data on site. Your company is on the MRSC vendor list for sales to Lewis County, where the District is located. Does your company sell equipment like this? Further details are below; a sample package and sample specifications for equipment that could do the job are attached. If you sell such equipment, please email me a short email like the one alluded to above, so I can include you in a future solicitation for the equipment.

- WSEL Equipment Package with Remote Data Download
 - Sample package file name: *DWhite_Sutron SL3_RLS-24-038091.pdf*
 - Staff can download the data remotely. No travel time or cost required.
- More description of the equipment:
 - OTT RLS – Radar Level Sensor
 - Description: Equipment is required to record the WSEL at Tin Bridge
 - Sample file name: *OTT RLS - Radar Level Sensor_ OTT HydroMet.pdf*
 - OTT Shielded Cable
 - Description: Cable extension that will be required to hook Sensor and Logger/transmitter up together
 - Sample file name: *OTT cable shielded, twisted pair configuration, PUR gray_ OTT HydroMet.pdf*
 - Solar Panel 10W, 15ft cable with mounting hardware:
 - Description: Solar panel is required to power equipment. Hardware is included in solar panel kit.

- Sample file name: *SUTRON Solar Panel, 10 W, 15 ft Cable_ OTT HydroMet.pdf*
- Sutron Geostationary Antenna
 - Description: Required for the SatLink 3 Logger
 - Sample file name: *SUTRON Geostationary Antenna, GPS_ OTT HydroMet.pdf*
- SatLink 3 Logger/Transmitter
 - Description: This is the satellite logger/transmitter with modem that will NOT require someone to go on-site to download recorded data.
 - Sample file name: *SUTRON SatLink 3 Logger_Transmitter in Enclosure_ OTT HydroMet.pdf*
- 12V Deep Cycle Battery not included in quote; to be bought separately.

Thank you for your consideration.

Best,

Eric Eisenberg
Deputy District Administrator
Chehalis River Basin Flood Control Zone District

**OWENS PUMP
RESPONSIVE QUOTE**



Owens Pump & Equipment

Mailing: PO Box 846, Wilsonville, OR 97070
Warehouse: 138 S. Hazel Dell Way #112, Canby, Oregon, 97013
(503)420-8390 Fax: (503)606-6602
sales@owenspump.com www.owenspump.com

Quote

Valid Until: Apr 28, 2025

Quote Number : 334282 Rev. 0

Project Name / Number: **Chehalis River Basin Flood Control**

Lewis County Public Works 57 West Main Street Chehalis, Washington 98532	Lead-Time: 1-3 WEEKS	FOB: Factory -
	Name: Eric Eisenberg	Sales Agent: Rich Owens (503) 420-8390 Ext 222 rich@owenspump.com
	Phone: (360) 740-1241	
	Email: eric.eisenberg@lewiscountywa.gov	
	Terms: 0**	

Contact your salesperson for more information: **Rich Owens** at (503) 420-8390 Ext 222 or rich@owenspump.com for assistance.

#	Part#	Product Details	QTY	Price Each	Total
1	CustomQuote	Custom Quote 4G / Satellite Pyxis CloudLink Gateway with I/O RS-485/TCP-IP - Power: Solar via 12V (Battery not included) NEMA-4X Enclosure - With LoRa Includes the following: - Satellite Module with Antenna - 10 or 20W Solar Panel with Charge controller and Pole Mount - 1 Year of 4G or 60 KB/Month Satellite Service (\$300)	1	\$ 6,585.00	\$ 6,585.00
2	PYX.LSR-803	Pyxis Labs LSR-803 Radar Level Sensor w/Display 0-49FT w/10FT Flying Lead Cable Range: 0-49 FT Resolution: 0.02 Inch Accuracy: ±2mm Measurement Interval: Configurable or Continuous Display: 1.3" OLED Display with Pushbuttons Data On-Board Storage: 110,000 data points Power Supply: Battery or 22-26VDC, Power Consumption – 2.0 W / (4) AA Li/SOCL2 Batteries Outputs: Bluetooth, 4-20mA Analog / RS-485 MODBUS Material: Polycarbonate / Polybutylene Terephthalate Temperature: Operation: 5-122 °F Rating: IP67 Regulation: UL / CE / RoHS Cable Length: 10FT IP67 Connector Dimensions: 2" NPT for Display/Sensor Weight: TBD	1	\$ 0.00	\$ 0.00
3	PYX.MA-L100	Pyxis Labs 100FT Male/Female Extension Cable - Level Waterproof Extension Cable for Level sensors -30 meter / 100 feet - Female + Male Adapters / 4-20mA + RS-485	1	\$ 0.00	\$ 0.00
4	PYX.LSR-MB-H002	Pyxis Labs LSR Hanging Bracket for LSR-803 Bracket for hanging sensor, no pole or mounting equipment provided	0	\$ 71.00	\$ 0.00
5	Freight	Freight Charges FOB - Factory -lead time is 2-3 Weeks ARO before shipping (not included) Estimated Freight	1	\$ 150.00	\$ 150.00
6	StartUp	Startup Services Manufacturer's Representative Onsite Start-Up & Training Services	1	\$ 0.00	\$ 0.00

Sub Total	\$ 6,735.00
*Estimated 8.2% Tax	\$ 552.27
Discount(s)	\$ 0.00
Freight:	
Grand Total	\$ 7,287.27

* Total Taxes will be calculated when order is placed. ** If credit card is being used for payment, add \$ 201.93

Terms and Conditions

All quotes are valid for 30 days from date of issue unless noted otherwise. Lead times are estimated from the factory on date of the quote and OPE does not accept ANY liquidated damages! Verify materials of construction are compatible with your process, as Owens Pump does not warrant against chemical incompatibility. Any item not specifically listed in this quote will not be supplied by Owens Pump. For full terms and conditions please see attached or download [here](http://www.owenspump.com/terms.pdf) at www.owenspump.com/terms.pdf **Payment terms must be approved by our accounting department with a credit application.

Payment / Fees:

Payments shall be as noted on the invoice and should be paid within the terms. Should special terms be required they shall be negotiated prior to the order being processed/received. Standard payment terms are strict NET 30 days, and if not paid in the terms late fees/penalties will be applied to the invoice.

a. Late Payment Fee: A Late Fee Charge of \$250 per week on any invoice past due more than 30 days (unless negotiated prior to order placement). Late fees will start after the first week past the due date and continue weekly. Shall the invoice go over 60 days, the fee will increase to \$250 per day and continue until paid. There will be no refunds for late fees, and if not paid will go to our legal/collections company for payment.

b. Credit Card Payment: OWENS PUMP reserves the right to charge credit card fees on top of any order exceeding \$10,000 NET at the same rate charged by our processor. The approximate credit card fee is included in the quote and invoice.

c. Credit Hold: Shall an invoice not be paid within terms; the account will be placed on credit hold. Once on credit hold orders will not be shipped until the account is fully paid in full.

Special Payment Terms (if Any):**Revision Notes:**

1. **Shipment.**
 - a. All material will be shipped by manufacture F.O.B. Factory Location and shall be Shipped by the most suitable method as determined by the manufacture, or that method advised in the written purchase order
 - b. Delivery by OWENS PUMP shall be made within a reasonable period of time based on availability. OWENS PUMP assumes no responsibility for, and shall not be liable for, any delays or damage prior to or during shipment.
 - c. Material shall be packaged by the manufacture as required to assure common carrier acceptance. Any special packaging required must be specified in the Purchase Order. Additional charges may apply to any special packaging requirements.
 - d. A packing slip and bill of lading will be supplied with each shipment referencing the buyer's purchase order number and the manufactures part number(s).
 - e. All the claims by Buyer for delays, shortages or damage in transit are to be made promptly to the carrier with a copy to OWENS PUMP.
2. **Tools.** Unless invoiced separately, all tools used in the installation of parts and materials sold by OWENS PUMP shall be the property of OWENS PUMP who will have sole control of same.
3. **Additional Charges.** OWENS PUMP may assess reasonable, additional charges to the Buyer for any changes in this order including, but not limited to charges occasioned by change in specifications, quantities, delivery, schedule or cancellation, and monetary penalties may apply.
4. **Warranties.** The manufacture—not OWENS PUMP —warrants all its Industrial and Municipal products as stated more fully in its written warranty, a copy of which will be provided at the time of delivery. Any such warranty is void with respect to any product which has been altered in any way from its manufacturing condition such as by intentional modification, accident, corrosion, misuse, failure to provide necessary and reasonable maintenance. Written authorization from the manufacture must be obtained prior to returning any part or parts. No charges for transportation or for labor performed on any manufactures products by unauthorized persons will be allowed under this warranty. Specific warranty information for agricultural manufactured products may be obtained from the manufacture upon request.
5. **Disclaimers.** OWENS PUMP MAKES NO WARRANTIES, EXPRESS OR IMPLIED, INCLUDING THE WARRANTY OF MERCHANTABILITY OR A WARRANTY OF FITNESS FOR A PARTICULAR PURPOSE EXTENDING BEYOND THAT SET FORTH IN PARAGRAPH 4.
6. **Indemnity – General.** Buyer agrees to indemnify, hold harmless OWENS PUMP from or against any claim, suit, demand or cost arising out of the use, manufacture, installation or operation of material supplies herein, other than that arising from the acts or omissions of OWENS PUMP
7. **Compliance with Laws and Regulations / Indemnity by OWENS PUMP.** OWENS PUMP represents that all material furnished under this contract is sold in compliance with federal, provincial and local laws, rules and regulations which apply to the goods purchased hereunder and which, if violated by OWENS PUMP , would have material adverse and detrimental effect upon Buyer. OWENS PUMP agrees to indemnify, hold harmless Buyer from or against any claim, suit, demand or cost arising out of any violation of such laws by OWENS PUMP .

8. **Assignment.** OWENS PUMP reserves the right to assign any portion of this contract provided, however, any such assignment shall not relieve OWENS PUMP 's obligation of performance. This contract shall not be assignable by Buyer without OWENS PUMP 's consent.
9. **Financial Responsibility.** In the event Buyer's financial responsibility shall be or become unsatisfactory to OWENS PUMP, cash advances or security may be demanded by OWENS PUMP , and in the event of default of such cash advances or security, OWENS PUMP may cease performances under the contract, discontinue any deliveries and charge the Buyer with all expenses incurred in connection with the contract.
10. **Waiver.** The failure of either party to require the performance of any term of this contract or the waiver of either party of any breach under the contract shall not prevent a subsequent enforcement of the term not be deemed a waiver of any subsequent breach.
11. **Entire Agreement / Governing Law.** This contract constitutes the entire agreement between OWENS PUMP and the Buyer, replacing and superseding any and all prior Agreements, written or oral and may be modified only by written Agreement signed by both parties. This Agreement shall be construed in accordance with the laws of the State of Oregon; and any action arising from it shall be brought only in the state or federal courts located in Oregon having proper venue.
12. **Purchase Prices.** The purchase price will be that on the current price list published by the manufacture, which is incorporated herein by reference, unless covered by a specific, valid quotation to Buyer.
13. **Payment / Fees:** Payments shall be as noted on the invoice should be paid within terms. Should special terms be required they shall be negotiated prior to the order being processed / received. Standard payment terms are strict NET 30 day, and if not paid in the terms late fee/penalties will be applied to the invoice.
 - a. **Late Payment Fee:** A Late Fee Charge of \$250 per week on any invoice past due more than 30 days (unless negotiated prior to order placement). Late fees will start after the first week past due date and continue weekly. Shall the invoice go over 60 days, the fee will increase to \$250 per day and continue until paid. There will be no refunds for late fees, and if not paid will go to our legal/collections company for payment.
 - b. **Credit Card Payment:** OWENS PUMP reserves the right to charge credit card fees on top of any order exceeding \$20,000 NET at the same rate charged by our processor. The approximate credit card fee is included on the quote and invoice.
 - c. **Credit Hold:** Shall an invoice not be paid within terms; the account will be placed on credit hold. Once on credit hold orders will not be shipped until the account is fully paid in full.

Owens Pump & Equipment

Your source of industrial, municipal pumps and equipment!
Representing the following premier product lines for Northern California, Oregon, Washington, and Idaho:



Since 1929, Vogelsang has been a market leader in industrial and municipal products. Engineered to Work!

- Rotary Lobe Pumps
- Progressive Cavity Pumps
- Twin-Shaft Grinders & Inline Macerators



Since 1920, Ebara has been a world leader in high quality pumps for the industrial and municipal markets.

- Split Case / End Suction
- Submersible Non-Clog (K-Impeller)
- Vortex & Grinder Pumps



Smith & Loveless Inc.



For 75 years,, Smith & Loveless is the market leader in grit removal, grit pumping and pump package stations.

- Above-Ground Pump Stations
- PISTA Grit & Concentrators
- Package /Full Designed Treatment Plants



For over 70 years, HOMA has been manufacturing efficient, high-quality pumps and mixers for the municipal and industrial market:

- Submersible Pumps
- Grinder & Cutter Pumps
- Submersible Mixers
- Dry Pit Submersible Pumps



Since 1975, FPZ has been manufacturing the Doseuro metering pump line for the industrial and municipal markets.

- Plunger Pumps
- Solenoid Pumps
- Diaphragm Pumps
- Self-Priming Pumps



For over 70 years Egger has been manufacturing pumps for solids and air/gas entrained fluids. Specializing in high performance grit pumps.

- Less HP than other designs
- Low tip speed lower wear
- Long Lifetime Costs



Since 1950, Ruhrpumpen / WDM has been a market leader in centrifugal pumping technology:.

- End-Suction
- Vertical / Sub. Turbine
- Self-Priming Pumps
- Worthington/Byron Jackson



For over 40 years, Flowrox (Valmet) has been manufacturing efficient, high-quality pumps and valves for the municipal and industrial market:

- Peristaltic Hose Pumps
- Metering Pumps
- Progressing Cavity Pumps
- Pinch & Knife Valves.



Aqualitec provides screw centrifugal pumps featuring a single-blade impeller in a screw shape. Pumping media with minimum clogging and maxim solids passing of fibrous debris, while keeping high efficiency.

- Drum Screens
- Lift Station Screens
- Centrifuge & Screw Press



Providing a simple, reliable, and low maintenance solution for dewatering, Prime Solution is a full package premier manufacture in Rotary Fan Press Technology.

- Compact All In One Skids
- Inline Thickeners
- Rotary Fan Screw Press



OR-TEC has been a specializing in the manufacturing wastewater systems and equipment for almost 40 years.

- Belt Press / Thickeners
- Screw Press
- Fine Screens / Headworks
- DAF Thickeners
- Polymer Dosing Systems



Variable speed driven constant pressure systems with your preferred pumps! Booster packages are PLC based and fully customizable!

- Vertical or Horizontal
- 304/316 Stainless Steel
- Customized Controls
- NSF / QCJZ / UL



FOGRod concept is extremely simple. The best way to increase system reliability, with no calibration, software, or laptop required. Just hang the FOGRod in the wet well.

- Works through FOG
- Simple Adjustment
- Backup Circuitry!



Since 1980, DDI has been a leader in energy recovery and heat transfer products. Their exclusive patented "Rectangular, Square, Cube" design is compact, efficient, and doesn't ever plug!

- Heat Exchangers
- Heat Recovery Systems
- NO PLUGGING!



Since 1933, Landia has been a leader in pumping and mixing solutions for municipal and industrial products:

- Chopper Pumps (Inline & Submersible)
- Digester Mixing System
- Submersible Aeration
- Submersible Mixers



VPC fiberglass package products provide simple and low-cost solutions such as:

- Flumes
- Shelters & Enclosures (STD or Custom)
- Metering/Grinder Manholes
- Weirs
- Staff Gauges

OREGON:
138 S. Hazel Dell Way, #107/108
Canby, OR 97013
(503) 420-8390

WASHINGTON:
COMING SOON!

IDAHO:
9169 W State St #1531
Garden City, ID 83714
(208) 918-4036

1-888-630-PUMP
(503)420-8390
sales@owenspump.com
www.owenspump.com

Owens Pump & Equipment



With over 100 years, Deming has designed and manufactured turbine pumps for the water & wastewater treatment industry.

- Vertical Turbine
- Submersible Turbine
- 304 Stainless Steel Impellers



Over the past 50 years, Jaeger, the pioneer of fine bubble diffusers have been innovating new designs to reduce your O&M, and SOT%.

- Air Diffuser Discs
- Tube Diffusers
- Strip Diffusers
- Retrivable Aeration



TNE is a comprehensive world leader in turbo blower technology! Providing solutions to save energy and provide high quality and performance to your plant requirements.

- High Speed Air Bearing
- Improved Airflow/Heat Design
- 10HP – 900HP Flexibility



Atlas Copco strives to develop products that are better for you, with high reliability. and huge amount of focus on making products that are smaller and lighter, with features that make them easy to move.

- Sewer Bypass Pumps
- Submersible Pumps
- Generators & Lightbars



SCADA solutions built on a secure cloud infrastructure and adhere to the industry's most rigorous security standards (SOC-2). Performance, enhanced reliability, and seamless control to monitor & control, your systems.

- Pump / Lift Stations
- Plants & Tanks
- Cellular/Ethernet/Satellite



If you need a replacement for you obsolete Hydromatic* self-priming pump, Metropolitan has the solution for a quick retrofit. Compact and close coupled pumps from 2" to 4" are available.

- Drop-In Replacement*
- Quick Clean-Out
- Non-Clog Impeller



Driven by technology, Tek-Trol is a company that believes in providing advanced measurement, automation, and control solutions:

- Flow Meters (ultrasonic, electromagnetic, Coriolis)
- Level Sensors (radar, ultrasonic, pressure, submersible)
- Pressure/Temperature



Next-generation advancement in ultrasonic technology brings WaterIQ to the front of algae & biofilm control of your lagoon, pond, clarifier, or reservoir. No chemicals required!

- Coverage up to 120 acres
- Onboard Telemetry and sensor
- Water Quality Probes



For over 50 years SFA Enviro/Aquaturbo has been providing high efficiency floating or submersible mixers and aerators for the wastewater treatment industry.

- EQ, Lagoon, Tanks
- Nitrification/Denitrification
- SBR Mixing



As a leader in centrifugal pump technology, Curflo provides many pumps for your specific application in any material:

- End Suction Centrifugal
- Self-Priming Trash Pumps
- Parts for Goulds, Durco, etc.



We can provide the premier services and repairs of the most popular brands. Offsite Service and Rental is also available.

- Andritz, Alfa Laval, Bird, Humbolt, Centrissy, Flottweg, GEA, Hiller, GEA Westfalia, Pieralisi and more!



ParkUSA provides a package pump station without the engineering. Pre-engineered package systems not only save money but are able to be installed quickly! Let us do the engineering for you!

Other notable manufactures:



Since 2013 Pyxis Lab has designed and manufactured high quality sensors for your requirements.

- Handheld & Inline
- ORP, Turbidity, pH, DO, PTSA, Chlorine, Algae
- Level Control: Radar, Ultrasonic, Pressure



For over 30 year of AK Industry is the leaders in fiberglass and poly products for the wastewater industry.

- H2O / Hatch Covers
- Fiberglass Package Lift Stations & Vaults
- Extensions



A subsidiary of Gorman-Rupp Pump Company, with quick shipping pumps for the markets.

- Self-Priming Pumps
- Straight Centrifugal
- Engine Driven Pumps
- Circulator Pumps



OREGON:
138 S. Hazel Dell Way, Ste 112
Canby, OR 97013
(503) 420-8390

WASHINGTON:
COMING SOON!

IDAHO:
9169 W State St #1531
Garden City, ID 83714
(208) 918-4036

1-888-630-PUMP
(503)420-8390
sales@owenspump.com
www.owenspump.com

**TUPPS LLC
RESPONSIVE QUOTE**



TUPS LLC
 Telecommunication Utility Procurement Services

CAGE CODE: 9SPA5

QUOTE

PO Box 4769
Pasco, WA 99302
509.821.1624
cmoore@tupsllc.com

Date: 3/27/25
Expires 4/24/25

Bill To:
TBD

Ship To:
TBD
Chehalis River Basin Flood Control
Either Chehalis or Olympia
Lewis County preferred destination

Sales Rep.	PO Number	Payment terms	ETA
Chris Moore	TBD	NET 30	2 weeks ARO

Qty	Description	Unit price	Line total
1 EA	SL3-ENC-1-IR SATLINK3 LOGGER/TRANSMITTER	7,105.35	7,105.35
1 EA	6310900192S OTT RADAR LEVEL SENSOR	2,193.45	2,193.45
1 EA	97.000.039.95 SHIELDED CONENCTION CABLE	8.19	8.19
1 EA	GEO-ANT-GPS-K10 GEOSTATIONARY ANTENNA	688.80	688.80
1 EA	3911-1037 10-WATT SOLOR PANEL	255.15	255.15
1 EA	MTG-SOL-POL2-1 10W SOLAR PANEL MOUNTING KIT	64.26	64.26
1 EA	2911-1365-1 2" POLE MOUNT KIT	129.15	129.15
		Subtotal	10,444.35
	(freight is estimated) NTE	Freight	400.00
		Sales Tax	
		Total	



OTT RLS - Radar Level Sensor

Product Number: 6310900192S

Price: Contact Us



The OTT RLS is a non-contact radar level sensor with pulse radar technology. The OTT RLS offers a large measurement range with a small blanking distance and narrow beam width and it easily connects to most dataloggers. The RLS has extremely low power consumption and is ideal for remote or solar powered sites.

Applications:

- Flood Warning
- Road Weather

Benefits

High performance

Measurements are unaffected by air temperature, humidity, flood events, floating debris, or contaminated water; reduces the likelihood of missing data and reduces data post processing

Low maintenance

Flat antenna design eliminates nesting areas for insects and periodic maintenance requirement.

Simple installation

Light weight compact design facilitates easy mounting on bridges, extension mounting bracket or inside a small protective housing.

Low profile design

Unobtrusive appearance is ideal for urban installation sites or sites prone to vandalism.

Flexible integration/Easy setup

Connects to most data loggers via standard communication interfaces, SDI-12 or 4-20 mA; no need for additional PC software.

Low power consumption

Ideal for remote or solar powered sites; requires only 12 mA when active.

Specifications

Technical Attributes

Housing Material	ASA (UV-stabilized ABS)
Interface	SDI-12, RS-485 (using SDI-12), or 4 -20 mA
Level Accuracy	SDI-12: 1.3 - 6.6 ft: ± 0.03 ft (0.4 - 2 m: ± 1 0 mm) 6.6 - 98.5 ft: ± 0.01 ft (2 - 30 m: ± 3 mm) 98.5 - 115 ft: ± 0.03 ft (30 - 35 m: ± 1 0 mm) 4 - 20 mA: ± 0.1 % full scale
Measurement Time	2 - 20 sec
Measuring Range	1.3 - 115 ft (0.4 - 35 m)
Operating Frequency	25.3 GHz

Operating Temperature Range	-40 - +140 °F (-40 - +60 °C)
Power Consumption	Active: < 290 mW (< 24 mA at 12 V) Resting: < 0.6 mW (< 0.05 mA at 12 V)
Power Supply	5.4 - 28 V DC, typ. 12/24 V DC
Protection Class	IP 67
Resolution	0.01 ft; 0.001 psi (1 mm; 0.1 mbar)
Standard storage temperature	-40 - +185 °F (-40 - +85 °C)
Transmission power	< 5 mW
Width of Beam	12 ° (±6 °)

Resources

Language

English US (16)
▼

Application Notes (2)

Brochures (1)

Case Studies (2)

Certificates (2)

Data Sheets (2)

Graphics (1)

Guides (3)

Manuals (1)

Software/Firmware (2)

Similar Products



UFW-RLS-NOWEATHER-
NOCAM

**Urban Flood
Warning Station,
OTT RLS**

Price: Contact Us



UFW-RLS-NOWEATHER-
CAMERA

**Urban Flood
Warning Station,
OTT RLS, Camera**

Price: Contact Us



UFW-RLS-TBRG-NOCAM

**Urban Flood
Warning Station,
OTT RLS, Sutron
Tipping Bucket**

Price: Contact Us



UFW-RLS-TBRG-CAMERA

**Urban Flood
Warning Station,
OTT RLS, Sutron
Tipping Bucket,
Camera**

Price: Contact Us



UFW-RLS-WS401-
NOCAM

**Urban Flood
Warning Station,
OTT RLS, Lufft
WS401**

Price: Contact Us



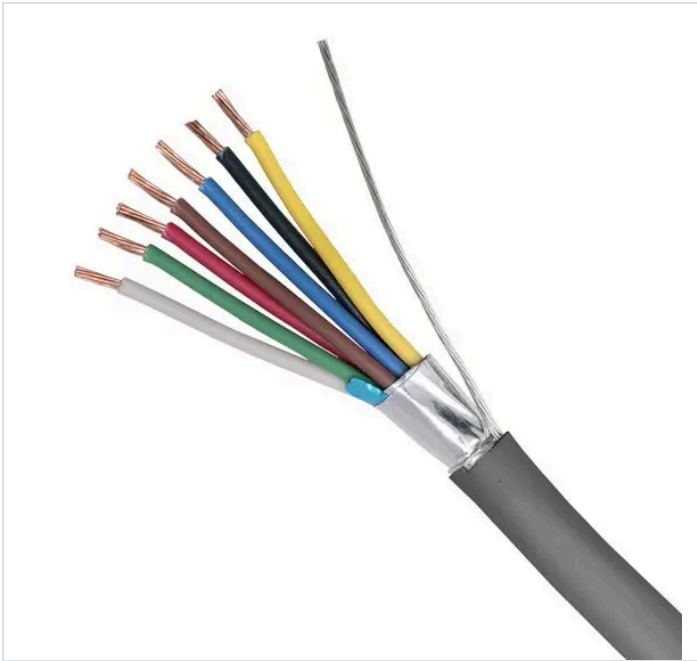
UFW-RLS-WS401-
CAMERA

**Urban Flood
Warning Station,
OTT RLS, Lufft
WS401, Camera**

Price: Contact Us

[Home](#) / [Accessories](#) / [OTT](#) / [OTT Accessories](#)

/ **OTT cable shielded, twisted pair configuration, PUR gray**



OTT cable shielded, twisted pair configuration, PUR gray

Product Number: 97.000.039.9.5

Price: Contact Us



Shielded, PUR gray, 2 x 2 x 0.5 mm² cable.

Applications:

- Meteorology Observations
- Meteorology Research

- Precipitation

Specifications

Technical Attributes

Cable Diameter	2 x 2 x 0.50 mm ²
----------------	------------------------------

[Home](#) / [Dataloggers and Telemetry](#) / [Telemetry](#) / [SUTRON Antenna](#)
/ **SUTRON Geostationary Antenna, GPS**



SUTRON

SUTRON Geostationary Antenna, GPS

Product Number: GEO-ANT-GPS

Price: Contact Us



Integrated antenna for satellite transmissions and GPS reception.

Applications:

- Data Collection & Telemetry

Specifications

Technical Attributes

Axial Ratio	1.2 dB typ.
Beam Angle	3dB Beamwidth: 110° Nominal
Connector	Type-N Female (RF Antenna) SMA Female (GPS Antenna)
Dimensions	Antenna: Cylindrical – height 13.33 in (33.86 cm) - diameter 6.41 in (16.28 cm)
Frequency	401 - 403 MHz (RF Antenna)
Gain	5.2 dBi Nominal
Impedance	50 Ohms (RF and GPS port)
IP Rating	IP67
Polarization	Right Hand Circular
Temperature Range	-40 - 185 °F (-40 - 85 °C)
Voltage Standing Wave Ratio (VSWR)	1.5 max. (RF Antenna) 2.0 Max (GPS Antenna)
Weight	1.75 lbs. (794 gm) - Antenna only

Resources

Language

English US (3)



Data Sheets (1)

Guides (1)

Manuals (1)



SUTRON

SUTRON SatLink 3 Logger/Transmitter in Enclosure

Product Number: SL3-ENC-1

Modem

- Cellular - LTE
- Iridium
- Iridium - DOD Version
- None

Nema Enclosure

- No
- Yes

Display

- Integrated
- Not Integrated

Price: Contact Us



SUTRON SatLink3 provides a cost-effective way to measure, log, calculate and transmit data from remote locations around the world. This logging transmitter is well equipped to monitor and transmit up to 32 independent measurements from analog, digital and smart hydrological, meteorological, or environmental sensors, on a user-set schedule or during alarm conditions. The SatLink3 has built-in support for geostationary

Applications:

- Data Collection & Telemetry
- Flood Warning

satellites including GOES, EUMETSAT, INSAT and MTSAT for global operation. Redundant communication and remote configuration are available through optional plug and play cellular and IRIDIUM® modems. Setup over RS232, USB or WiFi is simple, quick and secure with LinkComm software operating on Mac, PC, iPhone and Android. Advanced programming is possible with Python scripting capabilities.

- Water Quality

Benefits

Built-in geostationary satellite transmitter

Support for all Geostationary Environmental Satellites including GOES, EUMETSAT, INSAT, MTSAT & CGMS.

Custom programming with Python Scripts

Supports applications beyond standard configuration, including custom measurements, transmission formats and user defined computations using modern, easy to learn scripting language with strong and growing developer community.

Two-way communication and remote configuration (cellular and Iridium)

Reduce time and cost of visiting field station to check, change or download configuration or turn on/off instruments. All datalogger features and configuration options available remotely via cell or Iridium, improving data access, and data retrieval, if transmissions are missed.

Plug and Play Modem Card

Reduce modem setup time with automatic modem recognition. These modems are field exchangeable, enabling you to easily move from one telemetry type or Service carrier to another and to keep up with fast moving cellular/telecom technologies (e.g., 3G to 4G). There are 2 plug in slots available on the SatLink3 logger allowing for multiple redundant communication.

Simple and intuitive software

LinkComm software is usable with all Sutron XLink and SatLink 3 dataloggers, and is a common software that reduces training requirements. It allows simple setup over Wi-Fi using a smart phone, tablet or PC. You can also pair with Hydromet Cloud, a web-hosted software, to access and manage real-time data and alerts.

Support for commonly used Hydrology and Meteorology sensors

Built-in SDI-12, Analog, Digital, RS485 and 4-20mA inputs. Modbus Client and Server modes.

Specifications

Technical Attributes

Analog Inputs	Analog - 4 - 20 ma Number of inputs: 1 Range: 0 - 22 mA Accuracy @ 77 °F (25 °C): 0.02 % Load: Internal 200 Ω
	Analog - Differential Number of Inputs: 3 Range*: ± 39 mV, ± 312 mV, ± 2,5 V Accuracy @ 77 °F (25 °C): 0,004 % typ Resolution: 0,298 µV @ ± 2,5 V scale
	Analog - Single Ended - Number of inputs: 2 Range*: 0 - 5 V Accuracy @ 77 °F (25 °C): 0.004 % typ Resolution: 0.298 µV
Connection Type	Precision analog reference: 2.5 V, 10.0 mA Switch 12 V: 1.0 A (2 available) Protected 12V: 1.0 A RS485 GPS INPUT: SMA-F RS232: DB9 USB (OTG): USB MICRO AB USB Host: Type A microSD: Internal, Expandable up to 32 GB
Digital Outputs	Number of inputs: 2.0 - 15 V, optional low level input Input type: Status, counter, frequency Max input frequency: 10 KHz, optional debouncing, internal pull Number of outputs: 2 Output types: On/off/pulse. Open collector w/100 ohm limiting resistor. 100 mA, 15 V max"
Dimensions	15.39 cm x 23.47 cm x 5.08 cm
Display	Not Integrated
Frequency	401.63 MHz - 402.85 MHz (depending on satellite type and channel assignment)
IP Rating	IP63 with enclosure

Modem	None
Nema Enclosure	Yes
Operating Temperature Range	-40 - +70 °C
Outputs	1.25-14 Watts depending on settings
Power Consumption	Voltage: 9 - 20 VDC Quiescent: < 2 mA typ @12.5 VDC
SDI-12 port	Independent channels: 2 Compliance: V1.3 logger Power: 500 mA max
Supported Telemetry	Geostationary Satellite
Weight	3.1 lbs (1.42 kg)

Resources

Language

English US (13)



Certificates (1)

Data Sheets (2)

Graphics (1)

Guides (3)

Manuals (5)

Software/Firmware (1)

Required Accessory



GEO-ANT-GPS

**SUTRON
Geostationary
Antenna, GPS**

Price: Contact Us

Optional Accessory



LINKCOMM

**SUTRON
LinkComm
Software**

Price: Contact Us



SL3-XMTR-1

**SUTRON SatLink 3
SL3-XMTR**

Price: Contact Us



SL3-LITE

**SUTRON SatLink 3
Lite Logger**

Price: Contact Us



SUTRON

SUTRON Solar Panel, 10 W, 15 ft cable, includes mount

Product Number: 5100-0400-1

Power

5 W

10 W

20 W

30 W

50 W

Mounting Configurations

Mount included

No Mount

Price: Contact Us

Solar Panels are a series of photovoltaic panels used to convert sunlight into electrical energy. OTT HydroMet offers a range of panels from 5 watts to 120 watts of peak power. Solar Panels may be mounted vertically, horizontally, and at various angles in between. They may be fastened to multiple surface or mount types, such as metal and wood poles, and attachment methods including standard bolts, lag bolts, U-bolt brackets, and stainless steelstainless-steel hose clamps are used to secure the panels.

Applications:

- Data Collection & Telemetry

Specifications

Technical Attributes

Mounting Configurations	Mount included
Power	10 W

Resources

Language

English US (1) 
--

Data Sheets (1)

**WECI
RESPONSIVE QUOTE**



WECCI
Whitney Equipment Company, Inc

16120 Woodinville-Redmond Road NE, Suite 3
Woodinville, WA 98072 Phone: (425) 486-9499

2501 Columbia Way Suite 300
Vancouver, WA 98661 Phone: (360) 694-9175

3/28/2025

Quote #: 44594 - 0

To: Chehalis River Basin Flood Control Zone Dist

Attn: Eric Eisenberg

Email: eric.eisenberg@lewiscountywa.gov

Phone: 3604806600

Project Name: Water Surface Elevation Measurement Equipment

The following is Whitney Equipment Company's proposal for equipment we can furnish for the above referenced project. A detailed list of the equipment and services included in this proposal is shown in the following Scope of Supply. Only items listed in the Scope of Supply are included in this proposal. This proposal is valid for 30 days from the date listed above. Please contact us to verify pricing and availability beyond 30 days as pricing and availability may vary. The conditions of sale associated with this proposal are attached.

Engineering calculations and design services are included only when specifically listed in the Scope of Supply. Field or startup services are not included unless specifically listed in the Scope of Supply. If additional field or onsite assistance is needed beyond what is included in the Scope of Supply, it can be supplied at a rate of \$193.00/hour at the job site, plus travel time and expense. Unless specifically listed in the following Scope of Supply, we do not include haulage, unloading including provision of lifting equipment, permits, bonds, insurance, installation, sales or use taxes or duties of any kind, power, chemicals, water, concrete, grout, anchor bolts, controls, wire, conduit, lights, fans, piping, valves, fittings, drains, meters, gauges, signs, safety equipment, labor, tools, field paint, lubricants, or any other items not listed as included.

Prices are firm for 30 days. Purchaser must also pay any costs incurred for additional field or onsite assistance no later than 30 days after receipt of an invoice for field or onsite services from Whitney Equipment Company.

The equipment will be coated with the manufacturers' standard preparation and coatings unless special coatings are listed in the Scope of Supply. Equipment will be prepared for shipment per the manufacturers' standard packing procedure. The purchaser is responsible for receiving all items including promptly inspecting for damage, noting damages, and filing for all missing or damaged items in a timely manner. Freight shall be standard ground or ocean freight unless otherwise listed. The purchaser is responsible for proper storage and handling of the equipment per the manufacturer's recommendations prior to installation to ensure warranty coverage. Warranty coverage shall be manufacturer's standard warranty unless specifically listed in the Scope of Supply.

This job is being handled by Sage Smith, phone 425.439.2762. Please call if you need further information or prices.



Quote # : 44594 - 0
Quote name : WSEL Data Equipment
Customer name : Chehalis River Basin Flood
Control Zone Dist
Salespersons name : Sage Smith

SCOPE OF SUPPLY

Whitney Equipment is pleased to offer the following **ALTERNATE QUOTE** for Water Surface Elevation monitoring. We have been involved with many projects similar to this nature, and can offer effective, reliable, and easy to use equipment.

We have review the equipment specifications provided for the "Main Quote". We are not supplying a main quote as we do not represent this manufacturer, but represent manufacturers who offer similar equipment with similar functionality.

We are confident we can meet the intent of the equipment, but may use different means to provide you with similar trending, possibly with higher resolution.

We hope you will consider this package offering, and would enjoy the opportunity to review and answer any questions or concerns you and the reviewing team might have.

1 each	Starlink Mini Kit Satellite Modem
1 each	Comm - Starlink - 1 year Yearly subscription for data hosting, satellite communication, and notification services.
1 each	HTTANT-S-15-KIT satellite antenna kit (external antenna and bracket, 14 inch internal cable, 15 ft external cable)
1 each	HTTG2-C-E10-AC HTT-Gen2, AC power, 10x12 enclosure, cellular 8DI, 4 Optional DO, 4AI, internal antenna, Modbus, expandable
1 each	HTT-Solar System Kit RemotePro 17W Continuous Remote Power System, 85W Solar Panel w/ Mount, 100Ah Battery Bank, 12V 20A PWM Solar Controller, Aluminum Enclosure
1 each	VEGAPULS C 21 Wired radar sensor for continuous level measurement Axial cable outlet, measuring range up to 20 m, accuracy ± 2 mm
1 each	MBB.A Radar Mounting Bracket

TOTAL \$13,517.10

Lead Times: 3-4 weeks after receipt of order and account creation



Quote # : **44594 - 0**
Quote name : WSEL Data Equipment
Customer name : Chehalis River Basin Flood
Control Zone Dist
Salespersons name : Sage Smith

Freight Terms: FOB Factory, standard freight included

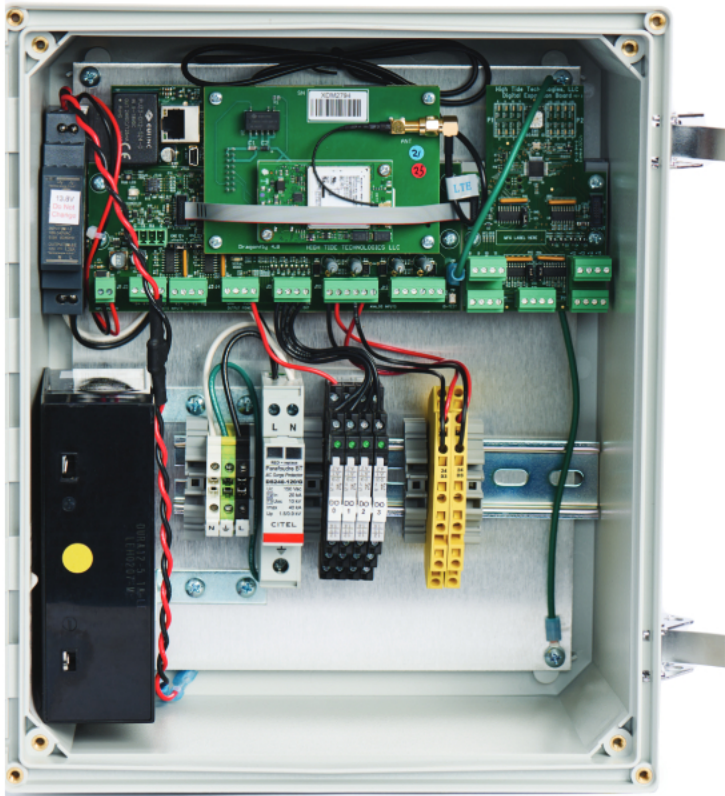
Sales tax is not included unless specified.

Payment Terms: NET30

Sincerely,
Sage Smith, Instrumentation Applications Engineer



HTT GEN-2



The HTT GEN-2 offers a significant evolution over High Tide Technologies' legacy series of RTUs. While the capabilities of the previous series were impressive, this next-generation RTU raises the bar even higher with faster data poll readings, a fully functional Modbus interface, over-the-air firmware updates, and more.

GEN-2 hardware enables endless configurations that serve to scale operational growth. The unit is also backward compatible — so budget-strapped customers aren't forced into upgrading until they need to.

High Tide's GEN-2 RTUs belong at the center of your cloud-based SCADA system. Typical applications include: water tank & booster pump station monitoring and control, water or natural gas pulse and flow rate meter reporting, pressure monitoring, valve station monitoring and control, and more robust lift station applications.

SPECIFICATIONS

- I/O: 8 digital inputs; 4 analog inputs; 4 optional digital outputs (via DO kit)
- Expansion modules available for additional digital input/outputs, analog inputs, or analog outputs
- Modbus interface: RS-232, RS-485, or Ethernet
- Communications methods: cellular, Ethernet, or dual (cell + Ethernet)
- Enclosure: 10in x 12in, NEMA 4X polycarbonate or backplate kit
- Operating temperature: -25C to 70C
- Input power: 100-240V / 50-60Hz
- Backup battery: 12V 3-5 days

FEATURES & BENEFITS

- Easy installation, maintenance & updates
- No user programming required
- UL certified
- Data poll readings every 2 minutes
- Event & pump status monitoring & alarm notifications
- Supports pulse inputs for rain gauge or flow meter
- Flow estimation features included
- Advanced control & flow estimation features included
- Monitor applications & control various elements
- Firmware updates can be made remotely
- 24/7/365 factory support

VEGAPULS C 21

Two-wire 4 ... 20 mA/HART

Radar sensor for continuous level measurement



Application area

The VEGAPULS C 21 is the ideal radar sensor for non-contact level measurement with high accuracy requirements in all standard applications where a high degree of protection is required.

It is particularly suitable for level measurement in water treatment, in pumping stations and rain overflow basins, for flow measurement in open channels, for level monitoring and for many other industrial areas.

The sensor is suitable both for measuring liquids and for use on small bulk solids silos or bulk solids containers.

Your benefit

- Maintenance-free operation due to non-contact 80 GHz radar technology
- Exact measurement results independent of medium properties and process conditions
- High accuracy and universal measuring range. Maintenance-free operation due to non-contact measuring principle

Function

The device emits a continuous radar signal through its antenna which is modulated in its frequency. The emitted signal is reflected by the medium and received by the antenna as an echo.

The frequency difference between the emitted and received signal is proportional to the distance and depends on the filling height. The determined filling height is converted into a respective output signal and output as measured value.

Technical data

Measuring range up to	20 m (65.62 ft)
Deviation	≤ 2 mm
Beam angle	8°
Measuring frequency	W-band (80 GHz technology)
Output signal	4 ... 20 mA/HART
Process fitting	Thread G1½, 1½ NPT, R1½
Mounting connection	Thread G1, 1 NPT, R1
Process pressure	-1 ... +3 bar (-100 ... +300 kPa/-14.5 ... +43.51 psig)
Process temperature	-40 ... +80 °C (-40 ... +176 °F)
Ambient temperature	-40 ... +80 °C (-40 ... +176 °F)
Bluetooth standard	Bluetooth 5.0
Bluetooth range	typically 25 m (82 ft)
Operating voltage	12 ... 35 V DC
Protection rating	IP66/IP68 (3 bar, 24 h) acc. to IEC 60529, Type 4X/6P acc. to UL 50

Materials

The wetted parts of the instrument are made of PVDF. The process seal is made of FKM. The connection cable is PUR insulated.

A complete overview of the available materials and seals can be found on our homepage under "Products" and "Configure & Order".

Housing versions

The housing is optimized for applications in the water/waste water industry and manufactured of PVDF. Due to the encapsulated cable gland, protection rating IP66/IP68 (3 bar) is achieved.

Electronics versions

The instruments are available in different electronics versions. Apart from the two-wire electronics with 4 ... 20 mA/HART, two digital versions with SDI-12 and Modbus/Levelmaster protocol are possible.

Approvals

Worldwide approvals are available for VEGA instruments, e.g. for use in hazardous areas, on ships or in hygienic applications.

For approved devices (e.g. with Ex approval) the technical data in the respective safety instructions are applicable.

You can find detailed information in the available approvals on our homepage under "Downloads".

Adjustment

Adjustment via the signal cable

The adjustment of the instrument is carried out via the interface adapter VEGACONNECT and a PC with the adjustment software PACTware and corresponding DTM.

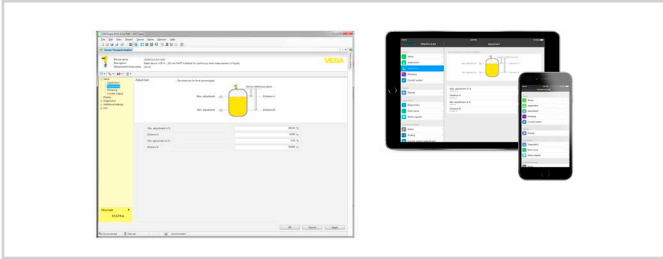
Wireless adjustment via Bluetooth

The Bluetooth version of the device enables wireless connection to smartphones/tablets (iOS/Android) or Windows PCs.



Wireless connection to standard operating devices

Operation is via a free app from the "Apple App Store", the "Google Play Store" or the "Baidu Store". Alternatively, adjustment can also be carried out via PACTware/DTM and a Windows PC.

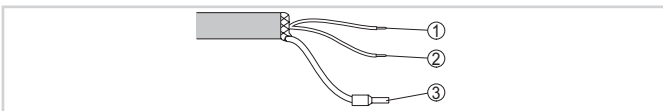


Adjustment via PACTware or app

Adjustment via remote systems

Further adjustment options are possible via a HART Communicator as well as manufacturer-specific programs such as AMS™ or PDM.

Electrical connection

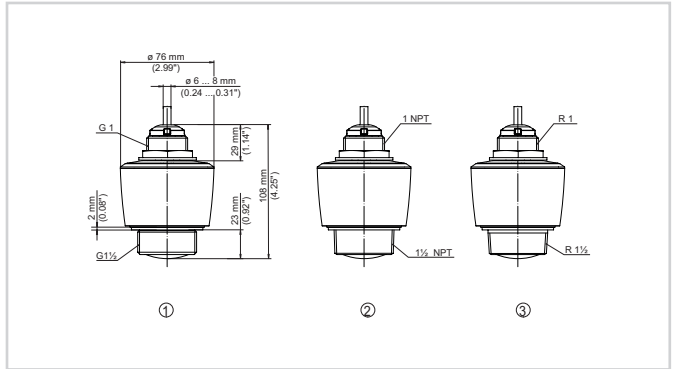


Wire assignment in permanently connected connection cable

- 1 Brown (+) to voltage supply or to the processing system
- 2 Blue (-) to voltage supply or to the processing system
- 3 Shielding

You can find details on electrical connection in the instrument operating instructions at www.vega.com/downloads.

Dimensions

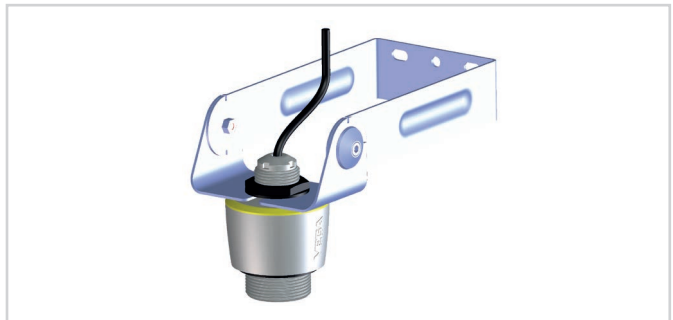


Dimensions VEGAPULS C 21

- 1 Thread G1½
- 2 Thread 1½ NPT
- 3 Thread R1½

Mounting accessories

For the VEGAPULS C 21 the suitable mounting accessories for ceiling or wall mounting is available.



Example mounting strap - wall mounting with adjustable sensor holder

You can find further information on the mounting accessory on our homepage.

Information

You can find further information on the VEGA product line on our homepage.

In the download section of our homepage you'll find operating instructions, product information, industry brochures and approval documents as well as device and adjustment software.

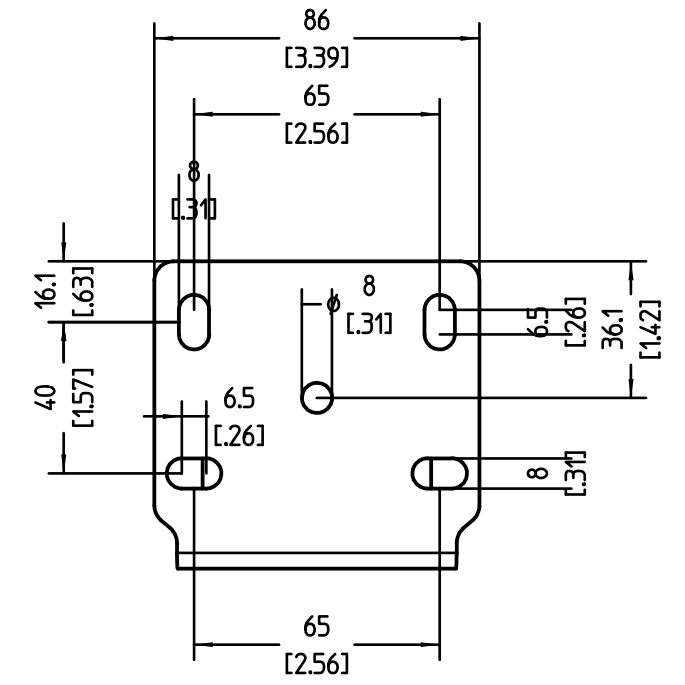
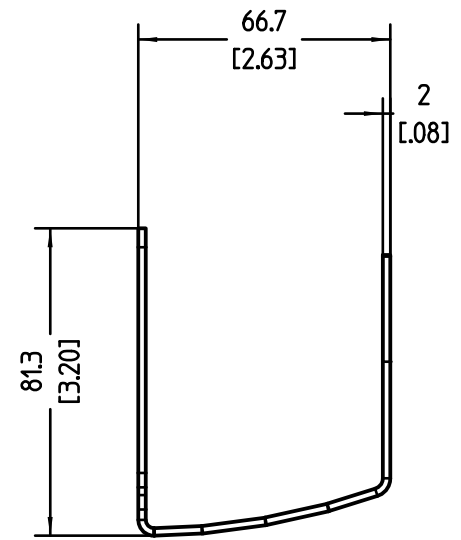
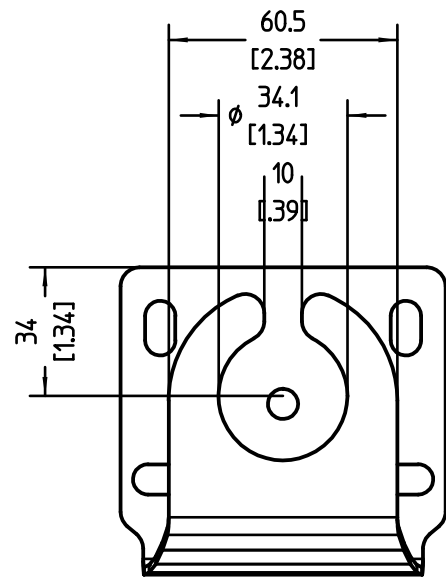
Instrument selection

On our homepage under "Products" you can select the suitable measuring principle and instrument for your application.

There you will also find detailed information on the available device versions.

Contact

You can find your personal contact person at VEGA on our homepage under "Contact".



- Lieferung inklusive:
- 4x Sechskant-Holzschrauben
 - 4x Scheibe
 - 4x Dübel
- Delivery inclusive:
- 4x hexagon head screw
 - 4x washer
 - 4x anchor

Projektionsmethode Projection angle		Achtung: Diese Zeichnung stellt die zum Zeitpunkt der Konfiguration gültige Geräteausführung dar. Sie wurde automatisch erstellt, spätere Konfiguration können hiervon abweichen. Attention: This drawing shows the valid instrument version on the configuration date. It was created automatically, later configurations may vary.	
Maßstab Scale	1:2	eID	AC-22223W
Originalformat size of origin	A3	Produktschlüssel Model Code	MBB.A
		Datum/Date	28.03.2025
		Alle Bemessungen in mm [inch] / All dimensions are mm [inches]	



Examples from a local watershed where our equipment is installed at USGS River Gauging Stations to control water sampling devices.

Bull Run Key Stations

Station 35

CFS: 216.12 CFS
↓ 0 Ft/min

13.9 V (3/28 4:15 AM)

Turbidity: 0 NTU (3/28 3:00 PM)

- Sampler Enabled
- Sampler Ready
- No Flow Alarm Triggered
- Program Not Running
- Manual Sample Disabled
- Turbidity Sampler Call Offline

Station 18

CFS: 1,030.99 CFS
↓ 0 Ft/min

14.5 V (3/28 2:00 PM)

Turbidity: 0 NTU (3/28 3:00 PM)

- Sampler Disabled
- Sampler Ready
- No Flow Alarm Triggered
- Program Not Running
- Manual Sample Disabled

Station 15

CFS: 113.38 CFS
↓ 0 Ft/min

13 V (3/27 7:33 AM)

Turbidity: 0 NTU (3/28 3:01 PM)

- Sampler Disabled
- Sampler Ready
- No Flow Alarm Triggered
- Program Running
- Manual Sample Disabled

Station 44

CFS: 72.23 CFS
↓ 0 Ft/min

13.8 V (3/28 4:22 AM)

Turbidity: 0 NTU (3/28 3:02 PM)

- Sampler Disabled
- Sampler Ready
- No Flow Alarm Triggered
- Program Not Running
- Manual Sample Disabled

← CFS

SUMMARY CHARTS REPORTS

★ Analog

END DATE: 03/28/2025 Avg: 4.25 Max: 6.15 Min: 3.42

Zoom: 2d 1w 1m YTD All 28 Feb 2025 → 28 Mar 2025

Time	Ft	CFS
3/28/2025 2:00 PM	4.54	225
3/28/2025 1:00 PM	4.57	232
3/28/2025 12:00 PM	4.62	245
3/28/2025 11:00 AM	4.61	242
3/28/2025 10:00 AM	4.62	245
3/28/2025 9:00 AM	4.59	237
3/28/2025 8:00 AM	4.59	237
3/28/2025 7:00 AM	4.54	225

← STATION 35

CHARTS

★ Battery Voltage

END DATE: 03/28/2025

Zoom: 2d 1w 1m YTD All 28 Feb 2025 → 28 Mar 2025



Quote # : 44594 - 0
Quote name : WSEL Data Equipment
Customer name : Chehalis River Basin Flood
Control Zone Dist
Salespersons name : Sage Smith

**WHITNEY EQUIPMENT CO., INC.
WOODINVILLE, WA
STANDARD CONDITIONS OF SALE**

These are Whitney Equipment Co., Inc., the Seller, Standard Terms and Conditions and the basis of our offer to the Buyer, unless specifically altered in writing as permitted herein. Any changes may affect the quoted price. These Standard Terms and Conditions and the bid quote, purchase order, or other order form to which they are attached (the "Bid Quote") form a contract between Buyer and Seller for the sale of products described in the Bid Quote (the "Contract").

ACCEPTANCE: Submission of this Contract to Buyer constitutes Seller's offer to the Buyer and on acceptance becomes a binding contract on the terms set forth herein. Buyer's acceptance is expressly limited to the terms of this Contract. Seller rejects all terms included in any response by the Buyer to this Contract that are in conflict with, inconsistent with, or in addition to the terms and conditions contained herein. But if a conflict arises between the terms of a purchase order first issued by Buyer and the terms of this Contract, the terms of this Contract shall take precedence.

ENTIRE AGREEMENT: The Contract comprises the entire agreement between the Buyer and the Seller, and supersedes all prior or contemporaneous understandings, agreements, negotiations, representations and warranties, and communications, both written and oral. This Contract prevails over any terms and conditions of purchase provided by Buyer, regardless of whether or when the Buyer has submitted its purchase order or such terms. In addition, implied terms and conditions from the Buyer's contracts with other entities are not valid or enforceable with respect to this Contract. Fulfillment of the Buyer's order does not constitute acceptance of any of Buyer's terms and conditions and does not serve to modify or amend this Contract.

GOVERNING LAWS: Seller will comply with all laws applicable to Seller during sale of the products. Buyer will comply with all laws applicable to Buyer during operation or use of the products. The laws of the State of Washington shall govern the validity, interpretation, and enforcement of any order of which these provisions are a part, without giving effect to any rules governing the conflict of laws. Assignment may be made only with written consent of both parties. Buyer shall be liable to the Seller for any attorney's fees and costs incurred by Seller in enforcing any of its rights hereunder. Unless otherwise specified, any reference to Buyer's order is for identification only.

JURISDICTION AND VENUE: Any legal suit, action or proceeding arising out of relating to this Contract shall be commenced in federal or state court located King County, Washington and Seller and Buyer (i) irrevocably submit to the exclusive jurisdiction and venue of any such court in any such suit, action or proceeding and (ii) irrevocably waive (to the extent permitted by applicable law) any objection which they now or hereafter may have to the laying of venue of any such action or proceeding brought in any of the foregoing courts in and of the State of Washington, and any objection on the ground that any such action or proceeding in any such court has been brought in an inconvenient forum.

ATTORNEYS FEES AND EXPERT COSTS: The prevailing party in any legal suit, action, or proceeding arising out of relating to the Contract shall be awarded its reasonable attorneys' fees and experts costs.

WARRANTY:

THE SELLER MAKES NO WARRANTIES ON ANY PRODUCTS OR SERVICES PROVIDED UNDER THIS CONTRACT, INCLUDING ANY (A) WARRANTY OF MERCHANTABILITY, (B) WARRANTY OF FITNESS FOR A PARTICULAR PURPOSE, OR (C) WARRANTY AGAINST INFRINGEMENT OF INTELLECTUAL PROPERTY RIGHTS OF A THIRD PARTY, WHETHER EXPRESS OR IMPLIED BY LAW, COURSE OF DEALING, COURSE OF PERFORMANCE, USAGE OF TRADE OR OTHERWISE. BUT THE BUYER SHALL RECEIVE WARRANTIES, IF ANY, PROVIDED BY THE MANUFACTURER OF THE PRODUCTS SOLD UNDER THIS CONTRACT. THE SELLER IS EXPRESSLY EXCLUDED FROM ANY WARRANTY AND ALL CHARGES, FOR LABOR, INSTALLATION, REMOVAL, REPAIR, REINSTALLATION, SHIPPING, UTILITIES, EQUIPMENT RENTAL, OTHER REQUIRED MATERIALS, OR ANY OTHER ITEMS. THE PARTIES AGREE THAT THE BUYER'S SOLE AND EXCLUSIVE REMEDIES SHALL BE AGAINST THE PRODUCT MANUFACTURER AS PROVIDED HEREIN. THE BUYER AGREES THAT NO OTHER REMEDY (INCLUDING, BUT NOT LIMITED TO, INCIDENTAL OR CONSEQUENTIAL DAMAGES FOR LOST PROFITS, LOST SALES, DOWN TIME, OPERATING OR MAINTENANCE COSTS, INJURY TO PERSONS OR PROPERTY, OR ANY OTHER SPECIAL, INDIRECT, INCIDENTAL OR CONSEQUENTIAL LOSS) SHALL BE AVAILABLE TO BUYER. BUYER SHALL FOLLOW ALL STORAGE, OPERATION, AND MAINTENANCE PROCEDURES SPECIFIED BY THE MANUFACTURER FOR WARRANTY COVERAGE, FAILURE TO FOLLOW THESE PROCEDURES INCLUDING DOCUMENTATION MAY RESULT IN LOSS OF WARRANTY COVERAGE.

TAXES: Seller does not include any Federal, State, City, County, or other sales, custom duties, or taxes such as sales, use, excise, retailer's, occupation or similar taxes and fees, in the Contract Price unless otherwise explicitly stated in writing. Any taxes not included in the Bid Quote will be added to the Contract Price. In lieu of paying such taxes to the Seller, the Buyer may furnish the Seller with a Tax Exemption Certificate or other legal and appropriate taxing authorities at any time.

PAYMENT TERMS: All quotations or proposals are in US Dollars unless explicitly stated otherwise in writing. Seller shall submit invoices for payment to Buyer for percentages of the Contract Price as described in Bid Quote. Buyer must pay all invoices submitted by Seller no later than 30 days after the date of the invoice. The shipment is delayed by the Buyer, date of readiness for shipment shall be deemed the date of shipment for payment purposes. The Seller may require advance payment or a certificate of deposit, or may otherwise modify credit terms, should the Buyer's credit standing not meet the Seller's requirements. A service charge of 2.5% per month on the unpaid balance will be charged on all overdue monies payable. Buyer shall not assign or transfer their contract or any interest in it, or monies payable under it, without the written consent of Seller and any assignment made without such consent shall be null and void. Buyer agrees to pay all collection costs and costs of suit, including reasonable attorney fees, in the event Seller institutes collection action for overdue account. Seller expressly reserves all available lien rights in connection with any transaction between the parties. Unless explicitly agreed upon in writing, retainage against the contract amount is not allowed. The Seller reserves the right to repossess all equipment that is not paid for in full per this Contract's payment terms.

CREDIT CARD PAYMENTS: All credit card payments will require an additional 2% surcharge in addition to the Contract Price listed in the Contract. All credit card payments over \$5000.00 require written pre-approval by the Seller prior to processing; approval is not guaranteed.

CREDIT: Buyer is required to provide all necessary credit information to Seller with each order, including bank reference, bonding company, or other necessary information with complete names, addresses, phone numbers, personal references, and account and bond numbers. The Seller will determine, in its sole discretion, what is acceptable and what credit rating is required for the Seller to allow a purchase on credit.

PRICE: The prices specified are in U.S. currency, payable free of all expense to the Seller for collection charges.



Quote # : 44594 - 0
Quote name : WSEL Data Equipment
Customer name : Chehalis River Basin Flood
Control Zone Dist
Salespersons name : Sage Smith

STARTUP PAYMENTS: If startup services are included in this Contract, the pre-agreed upon payment amount shall be due when startup is complete. If startup is delayed more than 90 days after equipment delivery, payment for startup shall be due 90 days after equipment delivery prior to the startup occurring. Delaying in paying this portion of the contract is subject to the PAYMENT TERMS above.

SHIPMENTS AND DELIVERY: Delivery and shipping times are Seller's best estimate and do not include product approval time or order processing time. Seller is not liable for any damages, fees, costs, expenses or penalties arising from (1) loss of or damage to product in transit or (2) delays in shipping or delivery of the product, including all delays caused by an accident; riots; insurrections; national emergency; labor disputes of every kind however caused; embargoes; non-delivery by suppliers; delays of carriers or postal authorities; or governmental restrictions, prohibitions, or requirements. Seller may, in its sole discretion, without liability or penalty, make partial shipments of products to Buyer. Each shipment will constitute a separate sale, and Buyer shall pay for the units shipped whether such shipment is in whole or partial fulfillment of Buyer's order. Cost of handling and freight is only included when it is explicitly listed in this Contract.

NON-DELIVERY: The quantity of any installment of products as recorded by Seller on dispatch from Seller's place of business is conclusive evidence of the quantity received by Buyer on delivery unless Buyer can provide conclusive evidence proving the contrary. Any liability of Seller for non-delivery of the products shall be limited to replacing the products within a reasonable time or adjusting the invoice respecting such products to reflect the actual quantity delivered.

APPROVALS: Buyer is responsible for obtaining approval on products from project owners and engineers. The Seller represents only those products are as described in this Contract. The Seller does not warrant that the products described will be approved or otherwise satisfactory to project owners or engineers, or that products meet project specifications. Seller does not guarantee compliance with any codes or laws unless explicitly stated in this Contract. Performance of the overall system that incorporates the products is not guaranteed.

OCCUPATIONAL SAFETY AND HEALTH ACT of 1970 – Seller does not warrant or represent that any of Seller's products by themselves or in a system or with other equipment will conform to or comply with the provisions of the Occupational Safety and Health Act of 1970 and the standards and regulations issued thereunder, or any other federal, state, or local law or regulation of the same or similar nature.

LIMITATION OF LIABILITY - NEITHER SELLER, NOR ITS SUPPLIERS SHALL BE LIABLE, WHETHER IN CONTRACT, WARRANTY, FAILURE OF A REMEDY TO ACHIEVE ITS INTENDED OR ESSENTIAL PURPOSES, TORT (INCLUDING NEGLIGENCE), STRICT LIABILITY, INDEMNITY OR ANY OTHER LEGAL THEORY, FOR LOSS OF USE, REVENUE OR PROFIT, OR FOR COSTS OF CAPITAL OR OF SUBSTITUTE USE OR PERFORMANCE, OR FOR INDIRECT, SPECIAL, LIQUIDATED, INCIDENTAL OR CONSEQUENTIAL DAMAGES, OR FOR ANY OTHER LOSS OR COST OF A SIMILAR TYPE, OR FOR CLAIMS BY BUYER FOR DAMAGES OF BUYER'S CUSTOMERS. SELLER'S AGGREGATE LIABILITY ARISING OUT OF OR RELATING TO THIS CONTRACT SHALL NOT EXCEED THE CONTRACT PRICE, PROVIDED HOWEVER, IF THE BID QUOTE INCLUDES FIELD OR STARTUP SERVICE, SELLER'S LIABILITY FOR SAID SERVICES SHALL BE LIMITED TO THE VALUE OF THE SERVICES. BUYER AND SELLER AGREE THAT THE EXCLUSIONS AND LIMITATIONS SET FORTH IN THIS ARTICLE ARE SEPARATE AND INDEPENDENT FROM ANY REMEDIES WHICH BUYER MAY HAVE HEREUNDER AND SHALL BE GIVEN FULL FORCE AND EFFECT REGARDLESS OF WHETHER ANY OR ALL SUCH REMEDIES SHALL BE DEEMED TO HAVE FAILED OF THEIR ESSENTIAL PURPOSE.

STORAGE – If for any reason Buyer fails to accept products that have been delivered by Seller, or if Seller is unable to deliver the products because Buyer has not provided appropriate instructions, documents, licenses, or authorizations, then Seller may place the products in storage at Buyer's cost and expense, which includes the cost of storage, shipping fees, insurance, and other incidental expenses. The Buyer carries risk of loss for products in storage.

TITLE - Title to the products and risk of loss or damage passes to Buyer upon delivery of the products at the Point of Delivery listed in the Bid Quote. As collateral security for the payment of the Contract Price for the products, Buyer hereby grants to Seller a lien on and security interest in and to all of the right, title and interest of Buyer in, to, and under the products, wherever located, and whether now existing or hereafter arising or acquired from time to time, and in all accessions thereto and replacements or modifications thereof, as well as all proceeds (including insurance proceeds) of the foregoing. The security interest granted under this provision constitutes a purchase money security interest under the Washington Uniform Commercial Code. Buyer agrees to perform all additional acts necessary to perfect and maintain said security interest.

INSURANCE: Buyer shall, at its own expense, purchase, maintain and carry adequate insurance for the products to protect against loss or damage from any external cause, including losses from fire, wind, water, or other causes. Insurance coverage must be maintained with insurance companies legally authorized to do business where said products are located in an amount at least equal to the value of said products until the products are accepted and paid for in full. Upon Seller's request, Buyer shall provide Seller with a certificate of insurance from Buyer's insurer evidencing the insurance coverage that is satisfactory to Seller. The certificate of insurance must name Seller as an additional insured. In no case does the Contract Price, even if inclusive of freight, cover the cost of insurance beyond the Point of Delivery specified in the Bid Quote]

CANCELLATION: The Buyer may cancel its order only upon written notice, and in turn will make payment to Seller of reasonable cancellation charges specified by Seller.

ORAL STATEMENTS: The Seller's personnel may have made oral statements about the products described in this Contract during the sales process. Such statements do not constitute warranties or guarantees and shall not be relied on by the Buyer. The entire contract is embodied in this writing. This writing constitutes the final expression of the parties' agreement, and it is a complete and exclusive statement of the terms of that agreement.

CHANGES: Seller reserve the right to make changes and to substitute other material as needed to make shipments and fulfill orders under this Contract.

ERRORS: Seller reserves the right to correct clerical or stenographic errors or omissions.

STATUTE OF LIMITATIONS - To the extent permitted by applicable law, any lawsuit for breach of contract, including breach of warranty, arising out of the transactions covered by this order, must be commenced by the Buyer not later than twelve (12) months from the delivery of Seller's Products or the last day Seller performed any services, whichever is earlier.

INSPECTION: Buyer shall inspect Seller's Products upon receipt, and if Buyer's inspection reveals any defects in the Products, Buyer shall notify the Seller within three (3) days after receipt of the Products of any claim Buyer might have concerning such defects in the Products discovered by Buyer. Buyer's failure to notify Seller within such a three (3) day period shall constitute a waiver by Buyer of all claims covering such defects in the Products. It is the Buyer's responsibility to inspect for shipping damage upon delivery and to initiate a damage claim with the freight carrier. Damage occurring in-transit by the freight carrier must be claimed by the Buyer and is not the Seller's responsibility.



Quote # : 44594 - 0
Quote name : WSEL Data Equipment
Customer name : Chehalis River Basin Flood
Control Zone Dist
Salespersons name : Sage Smith

NOT INCLUDED: Seller does not include any item not specifically listed as included. References to specifications and drawings in the Scope of Supply section of the Bid Quote does not indicate that all items in those documents are included in the Scope of Supply. Unless clearly included in this Contract, engineering and design services are not included in this Contract.

FREIGHT: Prices quoted are F.O.B. point of manufacture and do not include freight unless specifically listed as included. Title passed to the Buyer at the Point of Delivery listed in the Bid Quote and all freight claims are the responsibility of the Buyer.

BACKCHARGES will not be accepted unless approved by Seller, in writing, before any work is done.

DELAYS: Price and terms and conditions are subject to revision if manufacture is not released at time of order placement or drawings for approval are not returned within 30 days from receipt by customer, or manufacture is released and subsequently held or delayed by the customer for more than 30 days, or customer requests longer than quoted shipment. If Seller suffers delay in performance due to any cause beyond its control, including but not limited to act of God, war, pandemic, act or failure to act of government, act or omission of Buyer, fire, flood, strike or labor troubles, sabotage, or delay in obtaining from others suitable services, materials, components, equipment or transportation, the time of performance shall be extended a period of time equal to the period of the delay and its consequences. Seller will give Buyer notice in writing within a reasonable time after the Seller becomes aware of any such delay.

DECOMPOSITION AND WEAR: Decomposition by chemical action and wear caused by the presence of abrasive materials shall not constitute defects.

BUYER DATA - Timely performance is contingent upon the Buyer supplying to the Seller, when needed, all required technical information, including drawing and submittal approval, and all required commercial documentation. The Buyer shall also supply and complete all shipping delivery information, pre-delivery checklists, and pre-startup checklists in a timely manner or the overall schedule of the project may be impacted at no cost to the Seller regardless of any potential agreed upon damages.

BUYER SUPPLIED COMPONENTS - Buyer acknowledges that the products purchased by Buyer under this Contract may contain products supplied by the Buyer or supplied by a third party at the Buyer's direction ("Buyer Supplied Components"). Buyer Supplied Components are not covered by any warranty or guarantee in this Contract. For the avoidance of doubt, Seller makes no representations or warranties with respect to any Buyer Supplied Components. Seller disclaims any liability arising from Buyer Supplied Components delivered late, damaged, defective, or nonconforming. In no event shall Seller be liable for consequential, indirect, incidental, special, exemplary, punitive damages, or lost profits, arising out of or relating to late delivery of or defective Buyer Supplied Components. Subject to the terms and conditions of this Contract, Buyer shall indemnify, defend and hold harmless Seller and its representatives/officers, directors, employees, agents, affiliates, successors and permitted assigns ("Indemnified Party") against any and all losses, damages, liabilities, deficiencies, claims, actions, judgments, settlements, interest, awards, penalties, fines, costs, or expenses of whatever kind, including attorney and expert fees, fees and costs of enforcing any right to indemnification under this Contract, and the cost of pursuing any insurance providers, incurred by Indemnified Party in a final judgment relating to any third-party claims arising from defective Buyer Supplied Components.

OWENS PUMP
NONRESPONSIVE ALT. QUOTE

CLOUD-BASED RADAR LEVEL SENSOR



Product Description

Our Cloud-Based Radar Sensor is an IoT connected RADAR level sensor which is a self-contained, low-cost fit-and-forget unit for use in harsh environments in remote locations. Its design exploits mainstream technologies to minimise costs and ensure reliability and longevity. Utilising the latest low power technology, together with its multi-band NB-IoT/Cat-M1 capability ensures Sense Level has a long service life with significant reduction in Total Cost of Ownership.

Key Features

- 60GHz RADAR
- 0–3m Range ($\pm 0.5\%$ Accuracy)
- IP68 Enclosure Rated for Submersion to 3m for 4 Days
- Multiple Mounting Options
- Multiband Modem supporting LTE-M & NB-IoT Networks
- External Antenna
- ATEX/IECEX Zone 0
- Internal Lithium Battery; 5 Year Battery Life* & 5-Year Cloud Access
- Remote Configuration & Firmware Upgrades
- Diagnostic Points, such as Network Signal Strength, Temperature, Battery Voltage

* Based on 15 minute Sampling, Once a Day Dial-In

